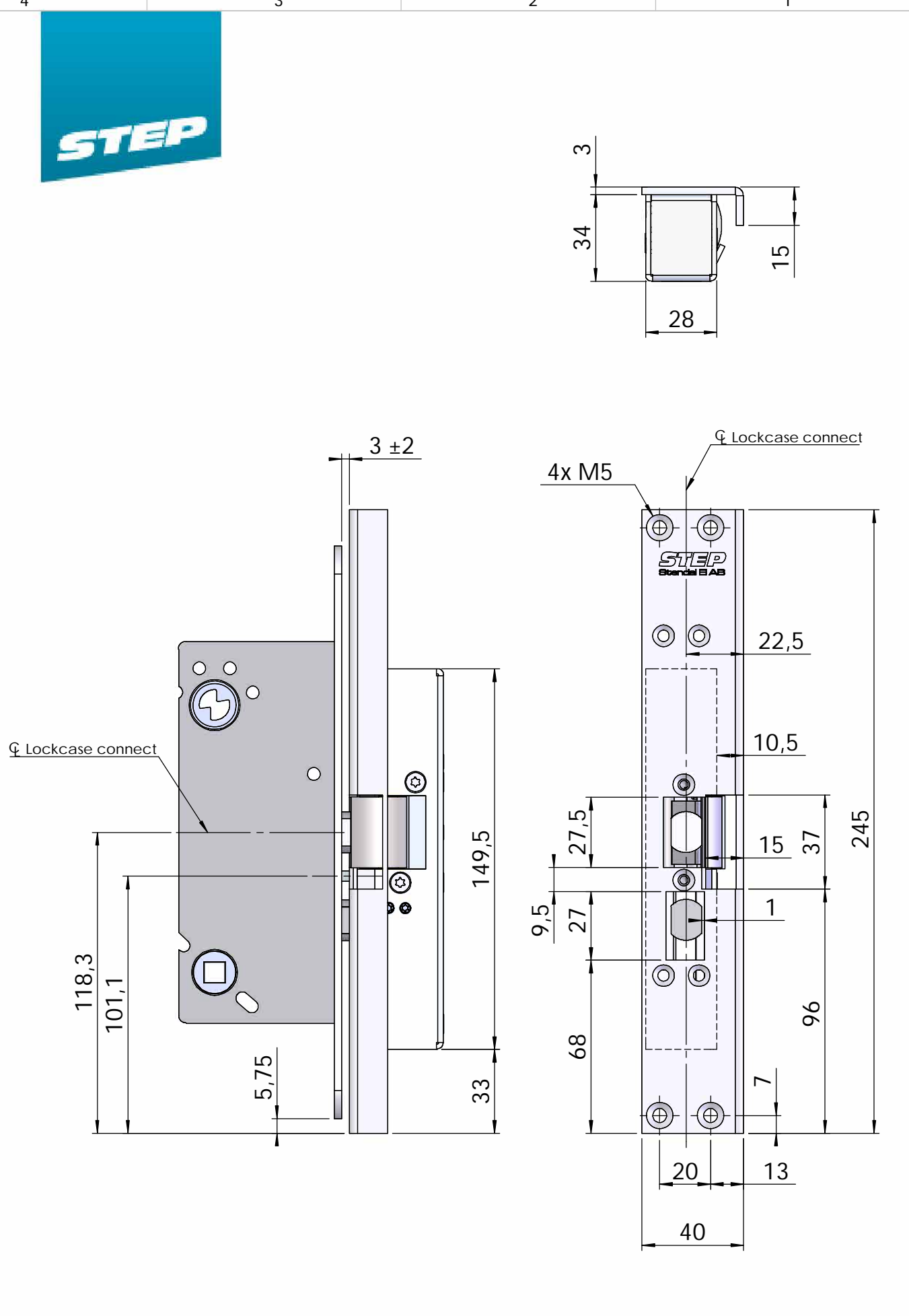




This document shall not be copied without owners written allowance and its content shall not be exposed for third part nor be used for unauthorized purpose.



Designed by	Checked by	Material	General tolerance SS-ISO2768-1m	Viewing 	Scale 1:2
Owner Stendals EI AB		Title/Description Stolpe med Step 60 plös 15mm			Revision
		Drawing no. ST6504V			Sheet

4

3

2

1

F

E

D

C

B

A

F

E

D

C

B

A